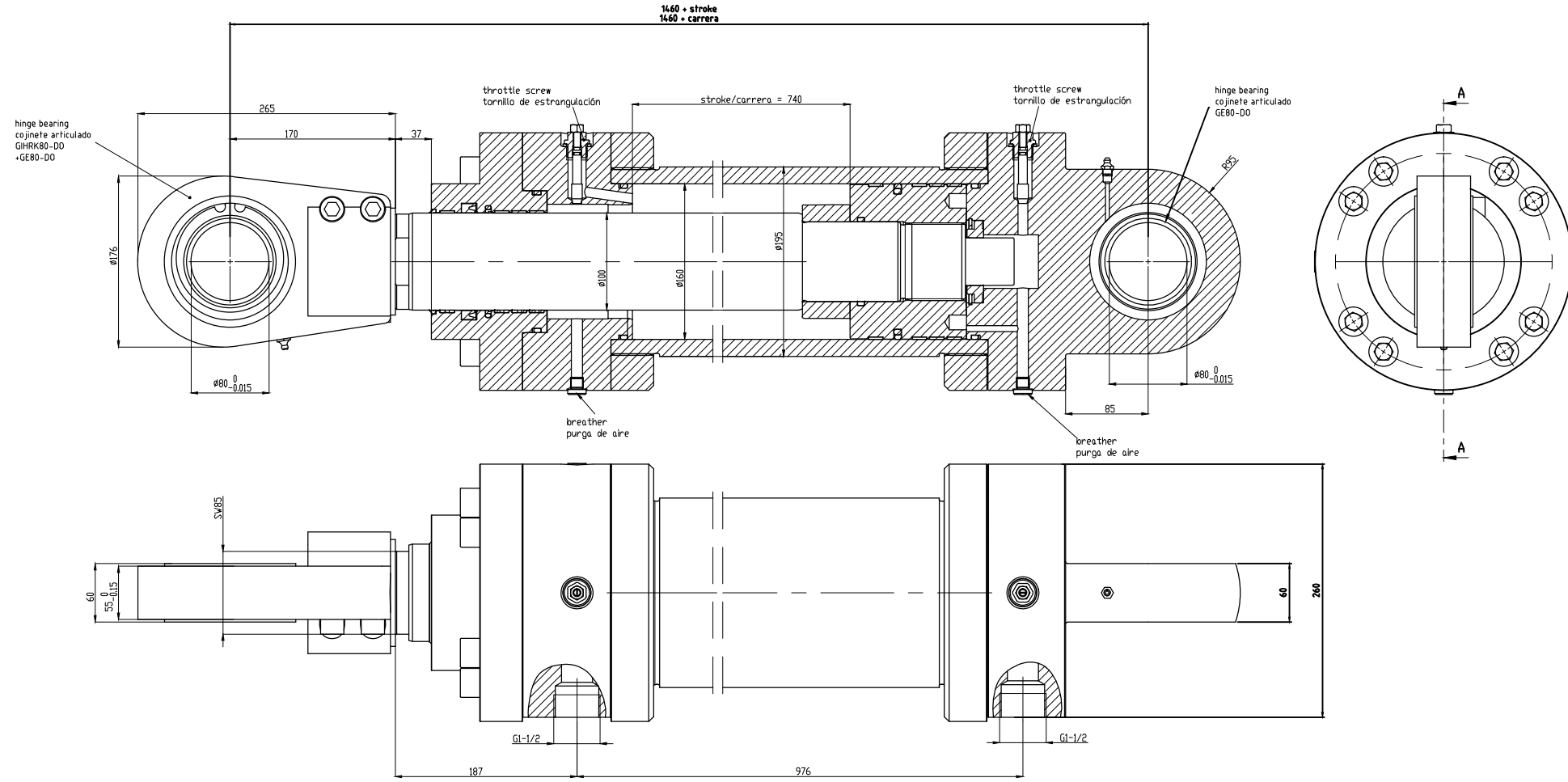
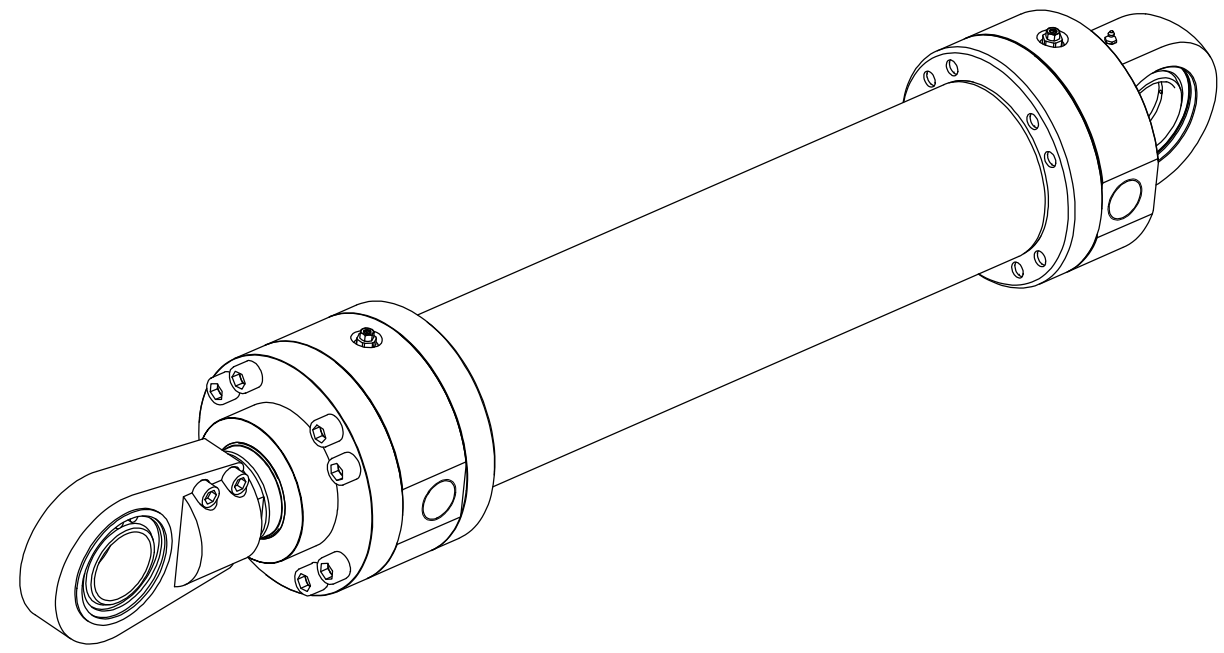


Section/Corte A-A



AS BUILT

Ø del pistón	=	160 mm
Cylinder bore	=	160 mm
Ø del vástago del pistón	=	100 mm
Piston Rod	=	100 mm
Stroke	=	740 mm
Stroke	=	740 mm
presión nominal	=	25 MPa
Nominal Pressure	=	25 MPa
presión de operación	=	25 MPa
Working Pressure	=	25 MPa
presión de prueba	=	37,5 MPa
Test Pressure	=	37,5 MPa
Fuerza de presión a 25 MPa	=	502400 N
Pressure Force at 25 MPa	=	502400 N
Fuerza de tracción a 25 MPa	=	306150 N
Retracting Force at 25 MPa	=	306150 N



HYDRAULIC Anlagen + Systeme		Drawing No: 001-1354-009-400											
<table border="1"> <tr> <th>Rev.</th> <th>Date</th> <th>Issue</th> <th>Justification</th> </tr> <tr> <td> </td> <td> </td> <td> </td> <td> </td> </tr> </table>		Rev.	Date	Issue	Justification					Project Name: Sant Adrià de Besòs			
Rev.	Date	Issue	Justification										
<table border="1"> <tr> <th>Weight</th> <th>Material</th> <th>Size</th> <th>Stroke</th> <th>Port</th> </tr> <tr> <td>2000 kg</td> <td>Al</td> <td>160</td> <td>740</td> <td>1/2"</td> </tr> </table>		Weight	Material	Size	Stroke	Port	2000 kg	Al	160	740	1/2"	Project No: 5007941	
Weight	Material	Size	Stroke	Port									
2000 kg	Al	160	740	1/2"									
<table border="1"> <tr> <th>Author</th> <th>Checked</th> <th>Approved</th> </tr> <tr> <td> </td> <td> </td> <td> </td> </tr> </table>		Author	Checked	Approved				Project Title: HYDRAULIC CYLINDER SLAG EXTRACTOR					
Author	Checked	Approved											
PROYECTO BASICO DE ADECUACION DE LA PLANTA DE VALORIZACION ENERGETICA AL NUEVO MODELO DE GESTION DE RESIDUOS URBANOS EN CATALUNYA													
		CILINDRO HIDRAULICO EXTRACTOR DE ESCORIAS											
		ESCALA: 1/2 REVISIONES: 01 8076 P HH 011 0											